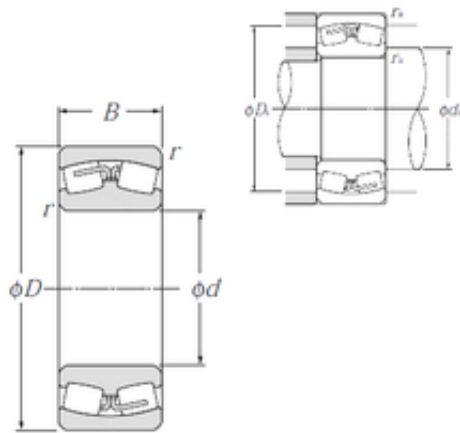




Shandong Weibo Precision Bearing Co.,...



110 mm x 200 mm x 53 mm NTN 22222B Spherical Roller Bearings

Bearing No. 22222B

22222B Bearing 2D drawings and 3D CAD models

Size	110x200x53 mm
Bore Diameter	110 mm
Outer Diameter	200 mm
Width	53 mm
d	110 mm
D	200 mm
B	53 mm
C	53 mm
r min.	2,1 mm
da min.	122 mm
Da max.	188 mm
ra max.	2 mm
Weight	7,2 Kg
Basic dynamic load rating (C)	410 kN
Basic static load rating (C0)	570 kN
(Grease) Lubrication Speed	2 200 r/min
(Oil) Lubrication Speed	2 800 r/min
Calculation factor (e)	0,27
Calculation factor (Y0)	2,46
Calculation factor (Y1)	2,51
Category	Spherical Roller Bearings
Inventory	0.0
Manufacturer Name	NTN
Minimum Buy Quantity	N/A
Weight / Kilogram	7.18



Shandong Weibo Precision Bearing Co.,...

Product Group	B04311
Internal Clearance	C0-Medium
Mounting Method	Shaft Mount
Rolling Element	Spherical Roller Bearing
Bore Profile	Straight
Cage Material	Steel
Enclosure	Open
Number of Rows of Rollers	Double Row
Relubricatable	No
Withdrawal Sleeve	Not Applicable
Withdrawal Nut	Not Applicable
Inch - Metric	Metric
Long Description	110MM Straight Bore; 200MM Outside Diameter; 53MM Width; C0-Medium Clearance; Shaft Mount; Double Row of Spherical Roller Bearings; Steel Cage Material; Open Enclosure; Not Relubricatable
Category	Spherical Roller Bearing
UNSPSC	31171510
Harmonized Tariff Code	84823080
Noun	Bearing
Keyword String	Spherical
Manufacturer URL	http://www.ntnamerica.com
Weight / LBS	15.824
Bore	4.331 Inch 110 Millimeter
Outside Diameter	7.874 Inch 200 Millimeter
Adapter Part Number	Not Applicable Inch Not Applicable Millimeter
Width	2.087 Inch 53 Millimeter